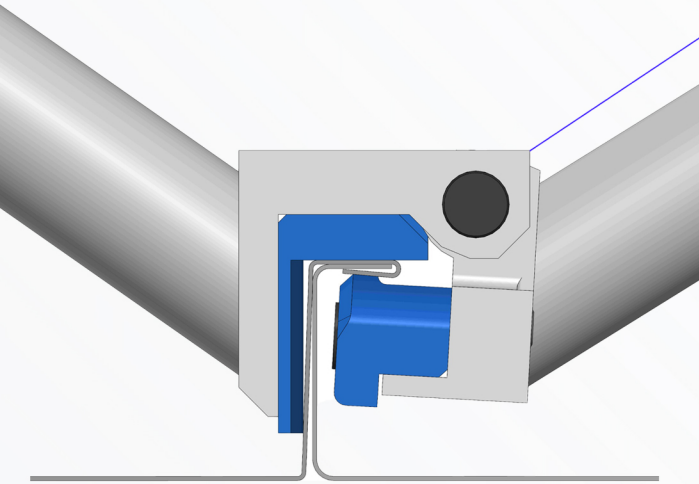




PLASTIC PLIERS

MATH BASED ENGINEERING



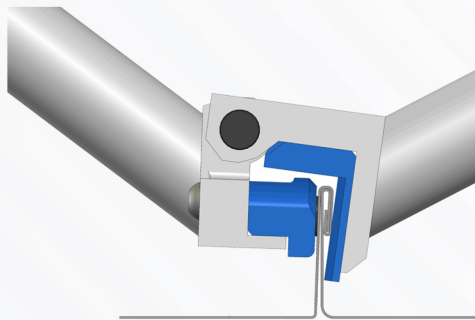
- Optimized movement angle
- Redesigned plastic shape
- Effortless handling experience

PERFECT 1st STEP QUALITY

ANTI-SLIP & ANTI-SCRATCH

- Special rubber inserts to improve the grip
- Plastic inserts to prevent surface scratching

ASTONISHING 2nd STEP EXPERIENCE



SUPERIOR ERGONOMICS

- Ergonomic handles to fit your palm
- Designed to utilize shoulder force effectively
- Carry lock clip - for easy carrying

